

# New Deluxe Smart Inverter

18K  
D18RN  
24K  
D24RN

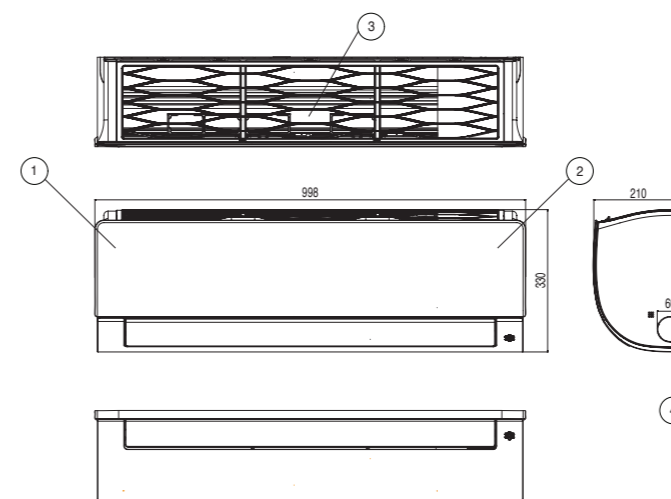


24p **Active Energy Control** 26p **Energy Display** 32p **4 Way Swing** 33p **Jet Cool** 34p **Fast Heating** 44p **Plasmaster Ionizer<sup>PLUS</sup>** 48p **Dual Protection Filter** 50p **Auto Cleaning** 54p **Comfort Air** 58p **Silence Mode 3dB** 60p **Quick & Easy Installation** 64p **Optional** 68p **Wi-Fi Ready** **Smart Diagnosis**

Unit				18K	24K
Model Indoor Unit				ASNW186K1R1	ASNW246K1R1
Model Outdoor Unit				ASUW186K1R1	ASUW246K1R1
<b>Indoor Unit</b>					
Capacity	Cooling	Min/Rated/Max	W	900/5000/5525	900/6600/7420
	Heating +7°C	Min/Rated/Max	W	900/5800/6438	900/7500/8640
Power Input	Heating -7°C	Rated	W	3800	4850
	Cooling	Rated	W	1,562	2,275
EER	Heating +7°C	Rated	W	1,611	2,238
			W/W	3.2	2.9
S.E.E.R.				7.0	6.5
P design C			kW	5.0	6.6
COP			W/W	3.60	3.35
S.C.O.P.				4.2	4.0
P design H			kW	4.1	5.0
Energy Label	Cooling			A++	A++
	Heating			A+	A+
Annual Energy Consumption	Cooling		kWh	250	356
	Heating		kWh	1367	1770
Sound Pressure	Cooling	S/L/M/H	dB(A)	31/34/39/44	31/34/42/47
	Heating	L/M/H	dB(A)	34/39/44	34/42/47
Sound Power	Cooling	High	dB(A)	60	65
	Heating	High	dB(A)	60	65
Air Flow Rate	Cooling	S/L/M/H	m³/min	8.0/10.5/13.0/14.5	8.0/10.5/13.1/16.1
	Heating	Max (Power)	m³/min	18.0	20.0
Dehumidification Rate	Cooling	L/M/H	m³/min	11.0/13.5/16.0	11.0/15.0/18.5
	Heating		l/h	1.8	2.5
Running Current	Cooling	Rated/Max	A	6.9/9	10.1/14.0
	Heating	Rated/Max	A	7.1/9.5	10.4/14.0
Starting Current	Cooling	Rated	A	6.9	10.1
	Heating	Rated	A	7.1	10.4
Power Supply		Ø / V / Hz		1 / 220-240 / 50	1 / 220-240 / 50
Circuit Breaker		A		20	25
Power Supply Cable		N x mm²		3 x 1.5	3 x 2.5
Power & Transmission Cable		N x mm²		4 x 1.0 (Including Earth)	4 x 1.0 (Including Earth)
Dimension		mm		998*330*210	998*330*210
Net Weight		kg		12.5	12.5
Fan Motor Output		W		30	60
<b>Outdoor Unit</b>					
Operation Range	Cooling	Min-Max	°CDB	-15-48	-15-48
	Heating	Min-Max	°CDB	-10-24	-10-24
Sound Pressure	Cooling	High	dB(A)	53	56
	Heating	High	dB(A)	55	57
Sound Power	Cooling	High	dB(A)	65	70
	Heating	High	dB(A)	65	70
Air Flow Rate		High	m³/min	35	50
Piping	Length (Odu/Idu)	Min	m	-	-
	Max	m		20	30
Piping Connection	Elevation (Odu/Idu)	Max	m	10	15
	Liquid	OD(Outside)	mm	6.35	6.35
Refrigerant	Gas	OD(Outside)	inch	(1/4)	(1/4)
	Drain	OD(Outside)	mm	12.7	15.88
		OD(Outside)	inch	(1/2)	(5/8)
		OD(Outside)	mm	21.5	21.5
Fan Motor Output	Compressor Type		W	0.85	0.85
	Charge at 7.5m		g	1250	1350
Net Weight	Additional charge		g/m	20	30
			W	43	85
Compressor Type				Twin Rotary	Twin Rotary
Net Weight		kg		35.5	46.1
Dimension		mm		770*545*288	870*655*320

\* Specification, design and feature are subject to change without prior notice.

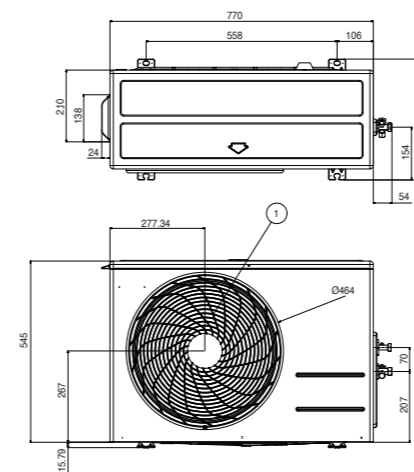
## ASNW186K1R1 / ASNW246K1R1



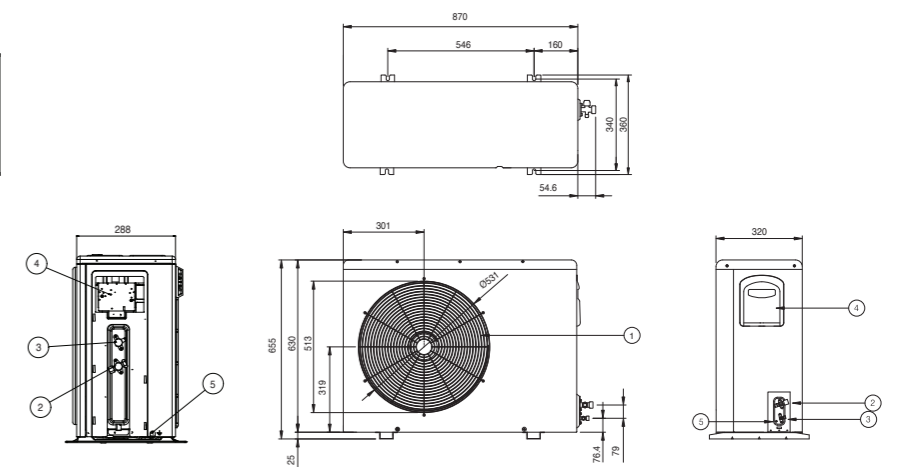
(Unit : mm)

Item No.	Part Name	Remark
1	Front Panel	
2	Display & Signal Receiver	Hidden
3	Air Filter	
4	Knockout hole	For pipe and cable

## ASUW186K1R1



## ASUW246K1R1



(Unit : mm)

Item No.	Part Name
1	Air Discharge Grille
2	Gas Pipe Connection Port
3	Liquid Pipe Connection Port
4	Control Box
5	Earth Screw

\* This product contains Fluorinated greenhouse gases (R410A).